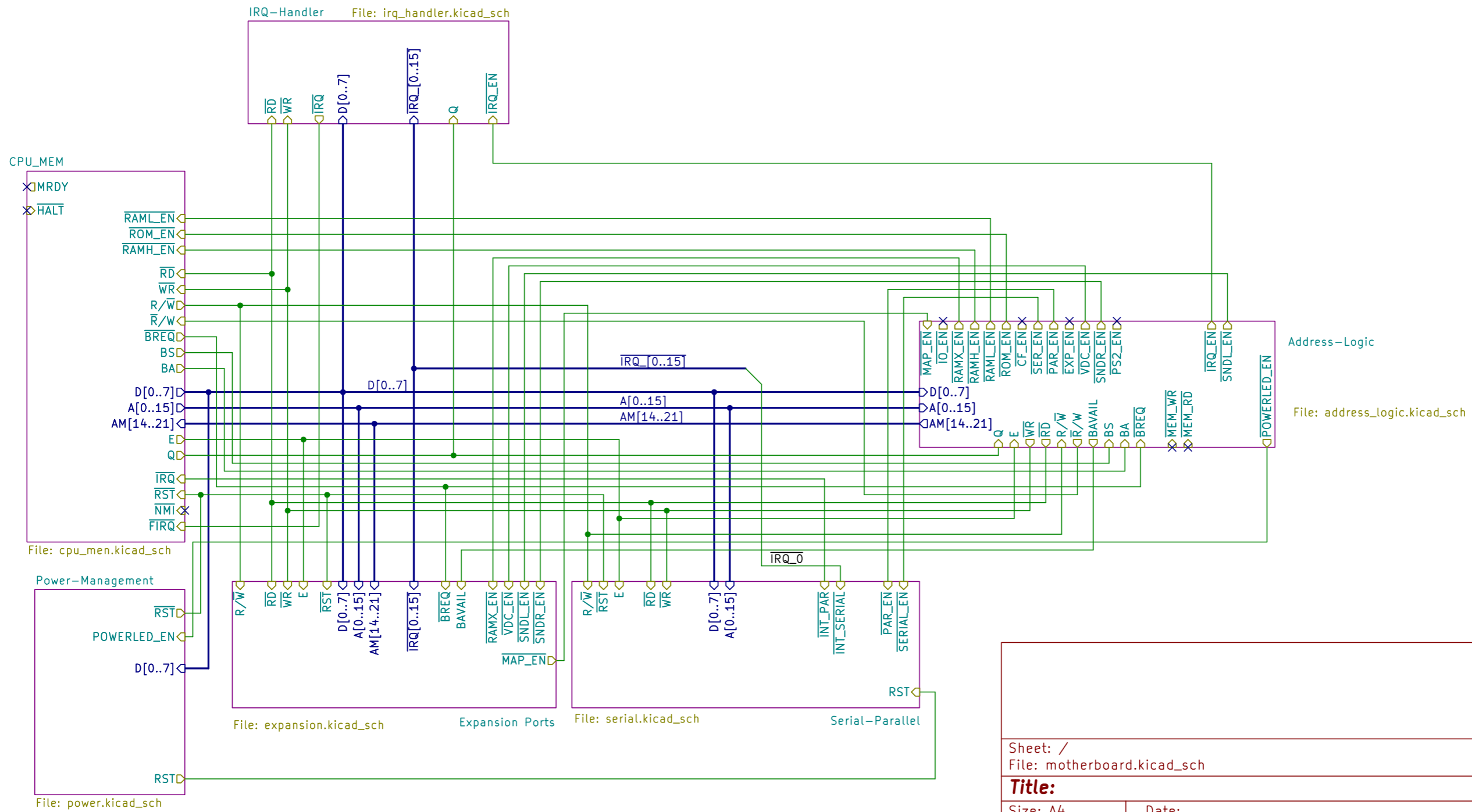


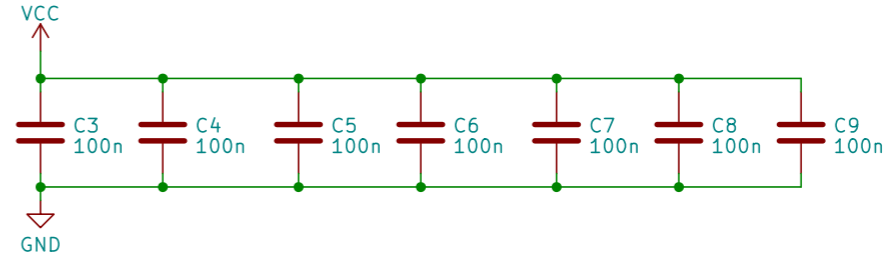
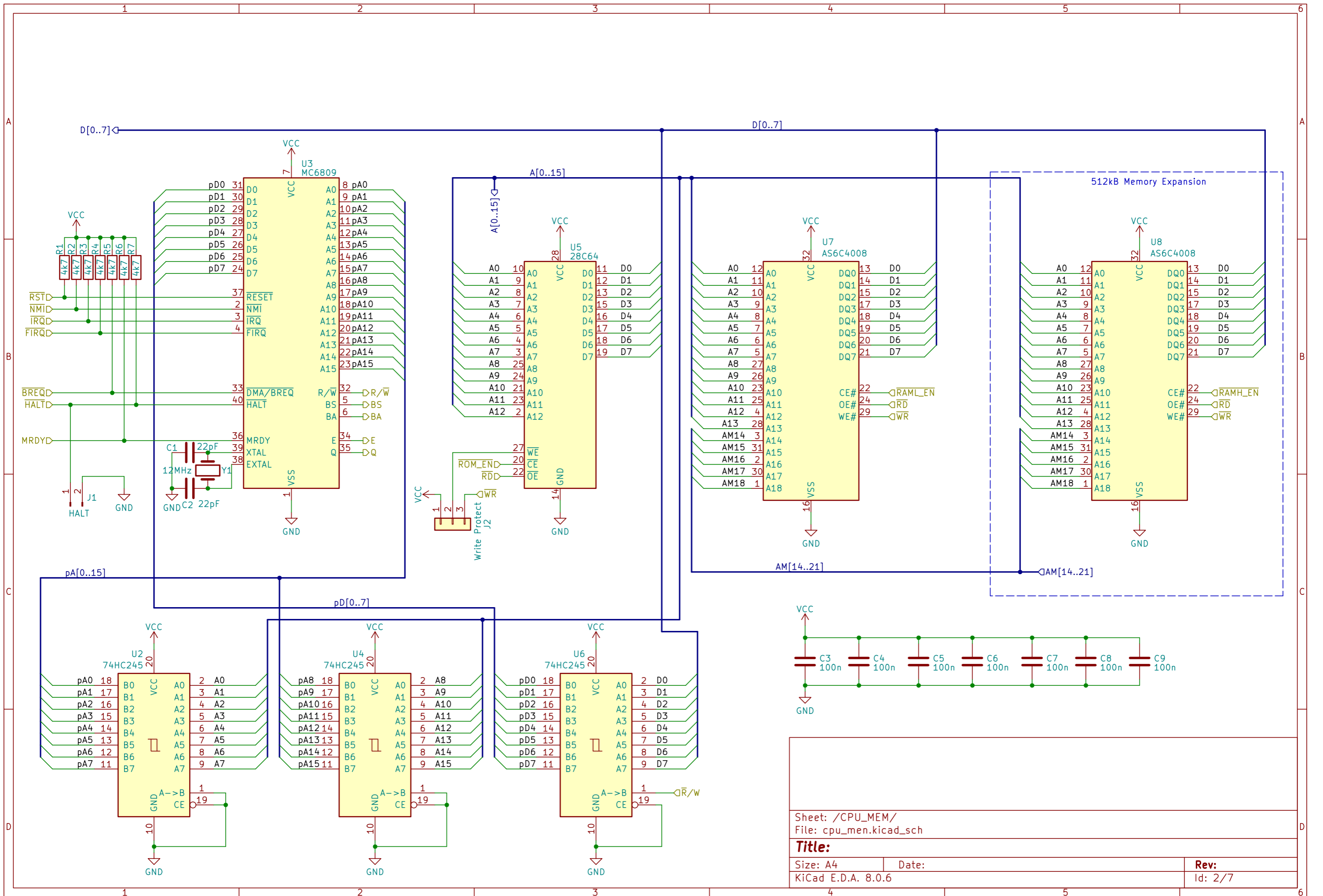


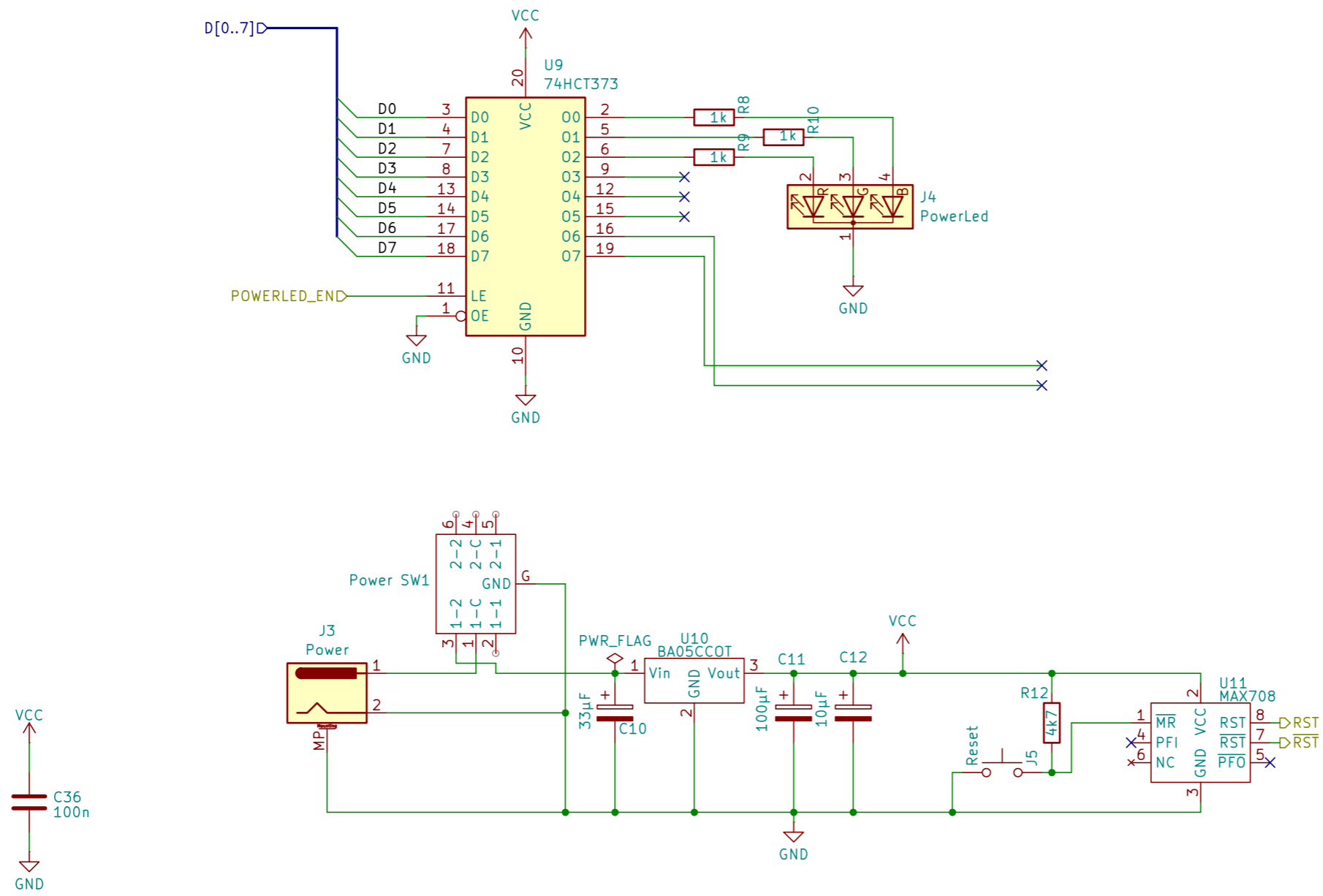
- H1 MountingHole
- H2 MountingHole
- H3 MountingHole
- H4 MountingHole
- H5 MountingHole

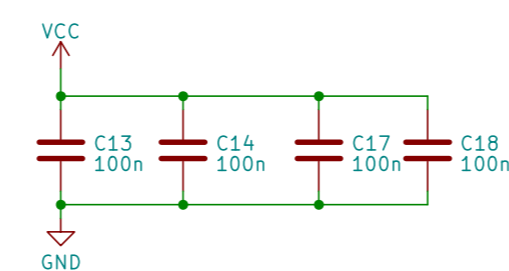
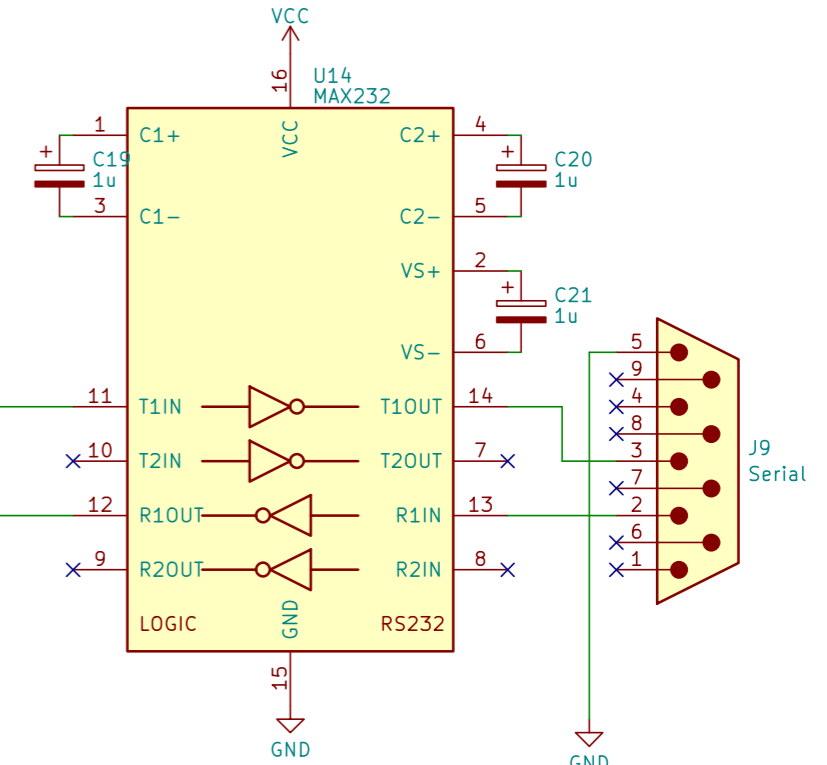
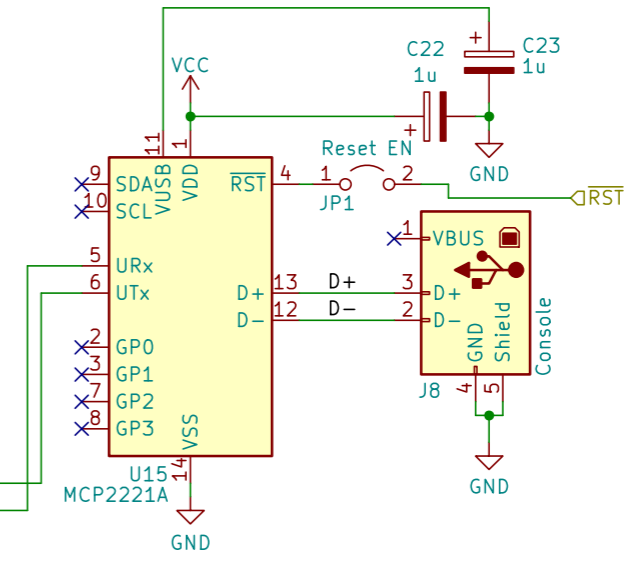
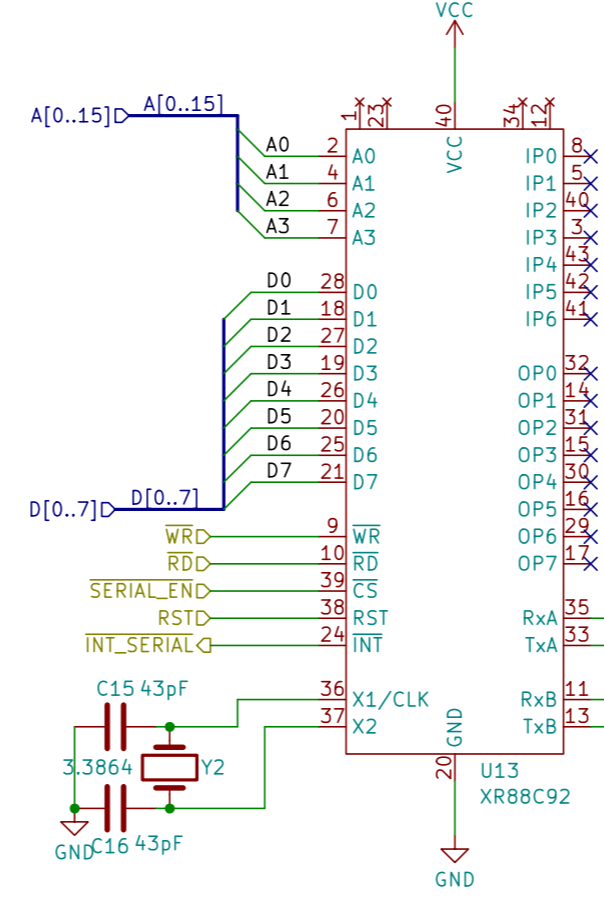
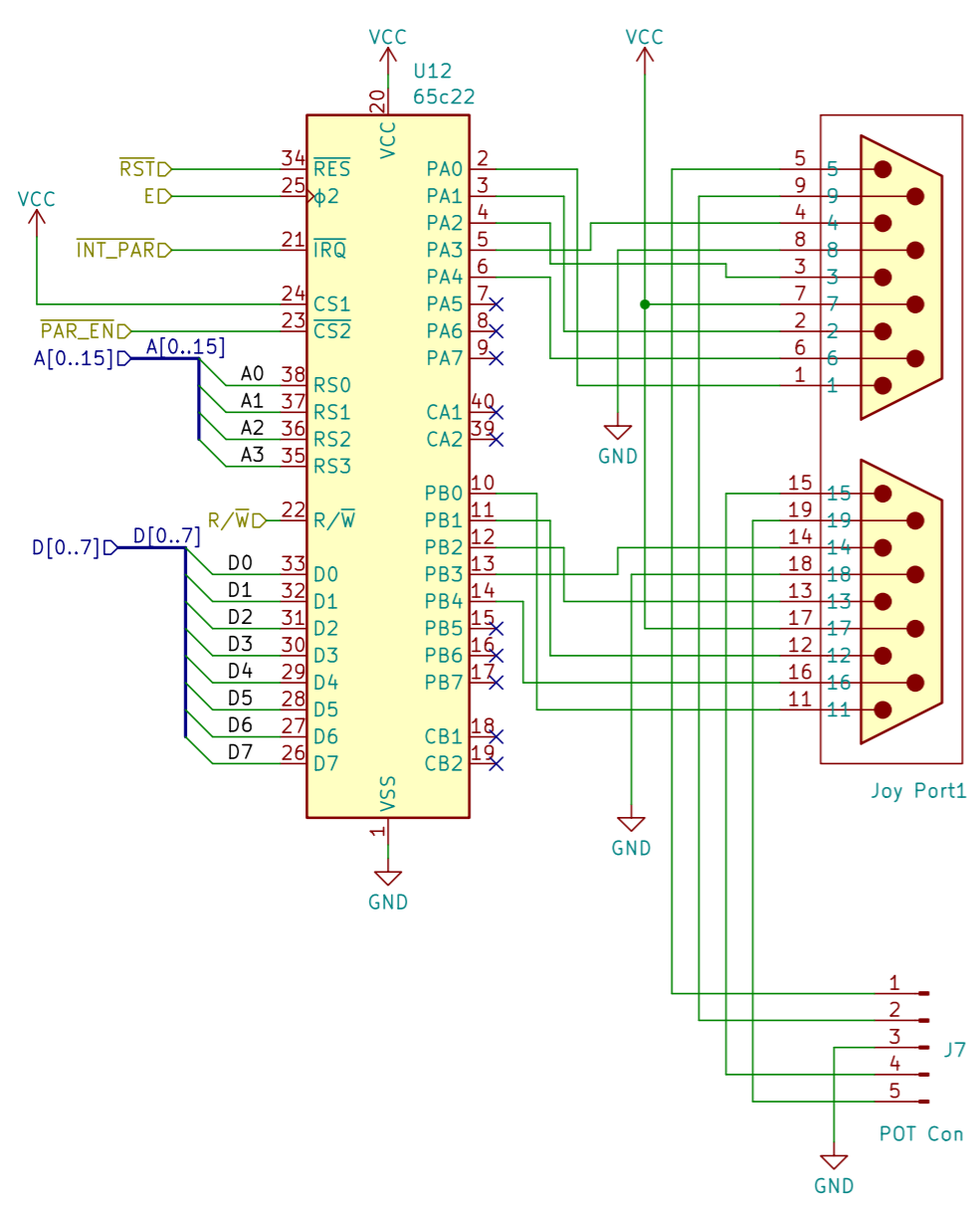
U1

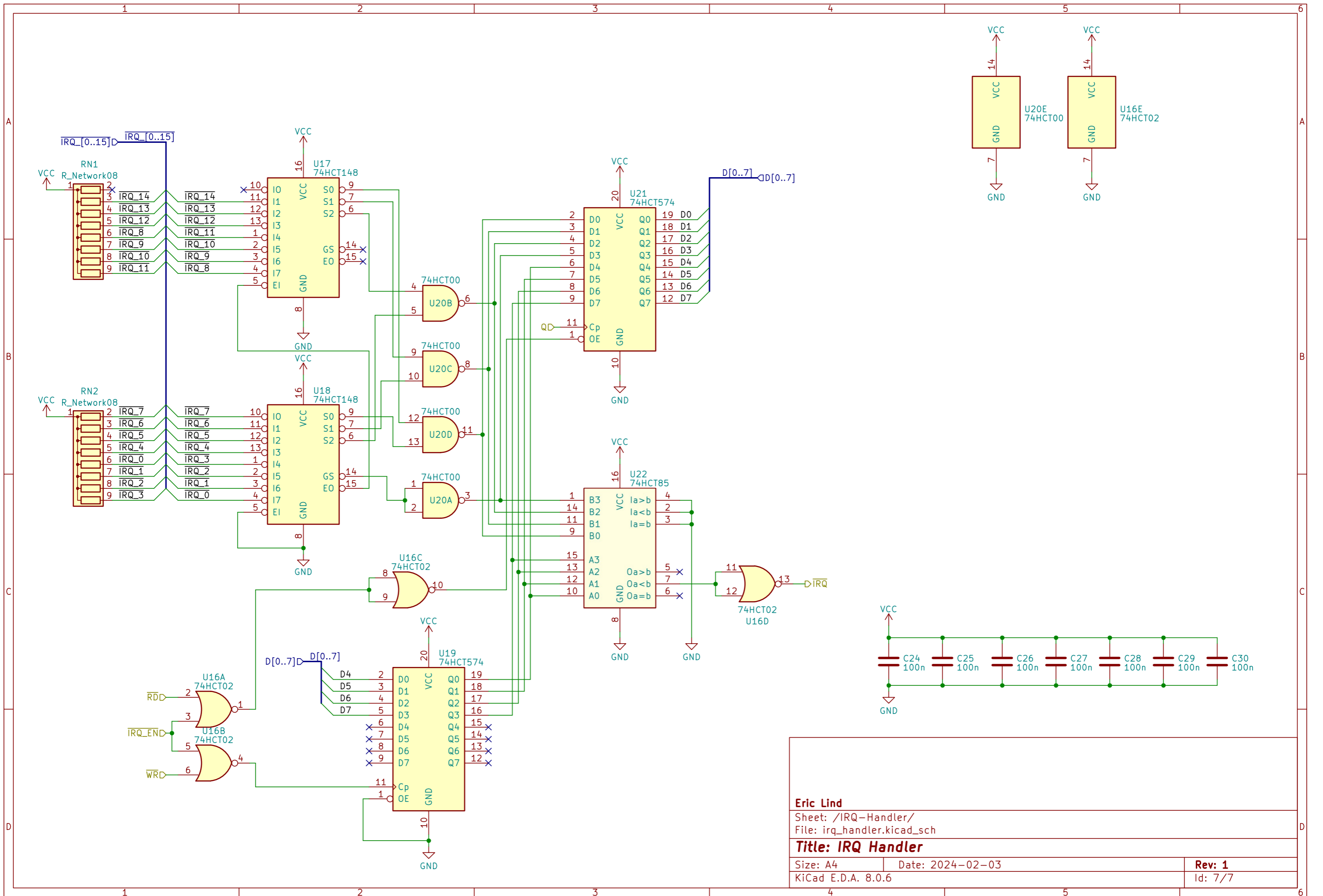


Sheet: /		
File: motherboard.kicad_sch		
Title:		
Size: A4	Date:	Rev:
KiCad E.D.A. 8.0.6		Id: 1/7

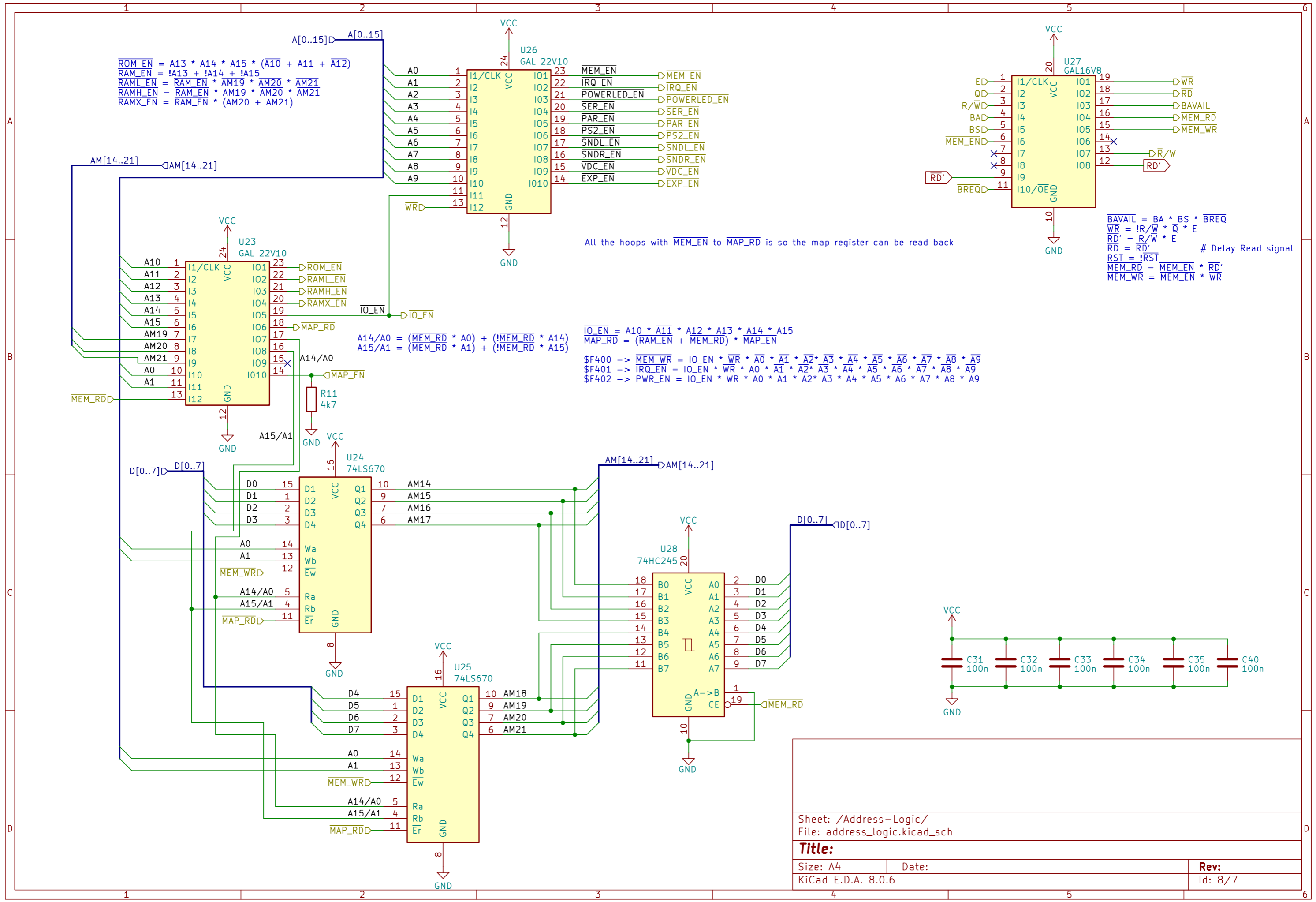


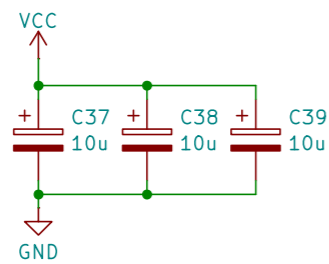
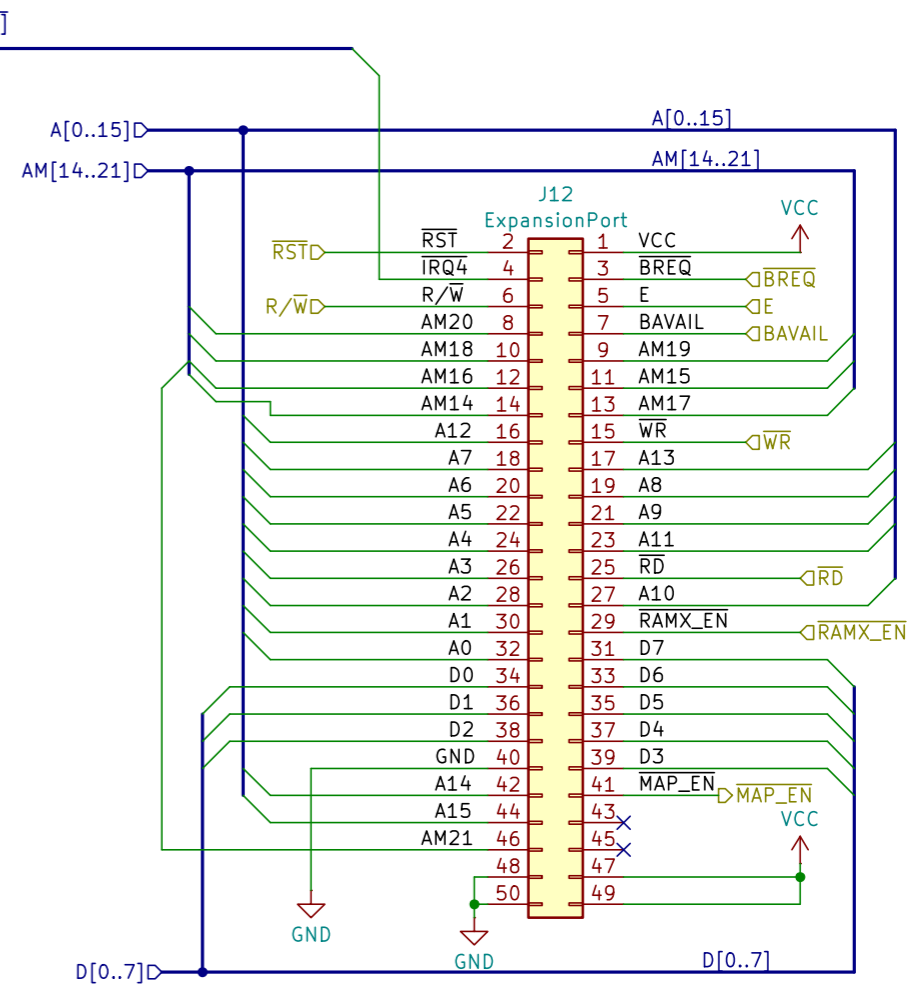
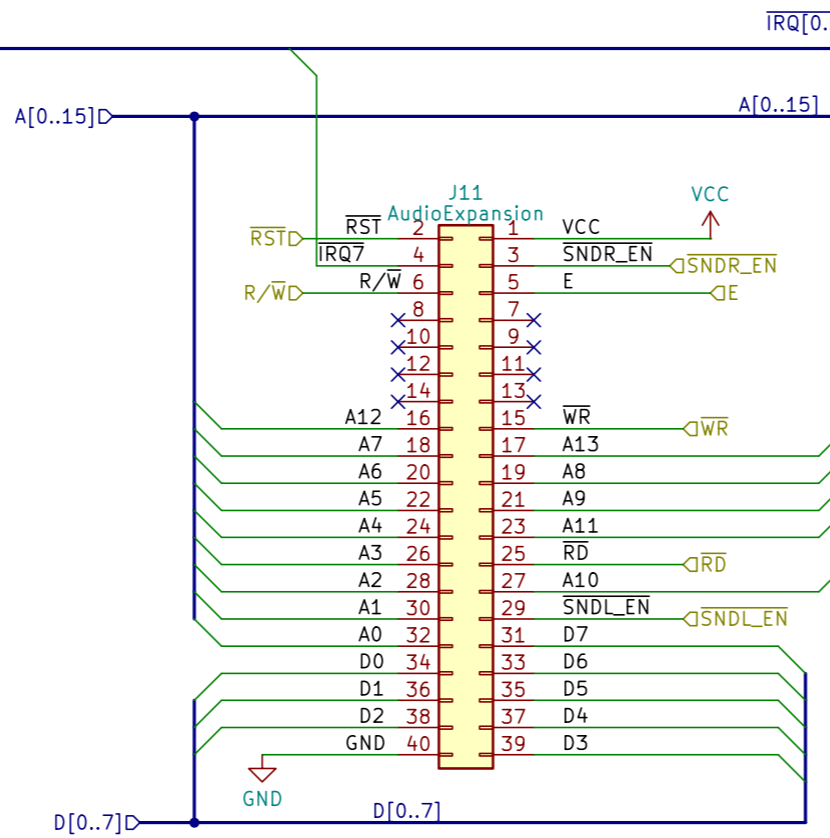
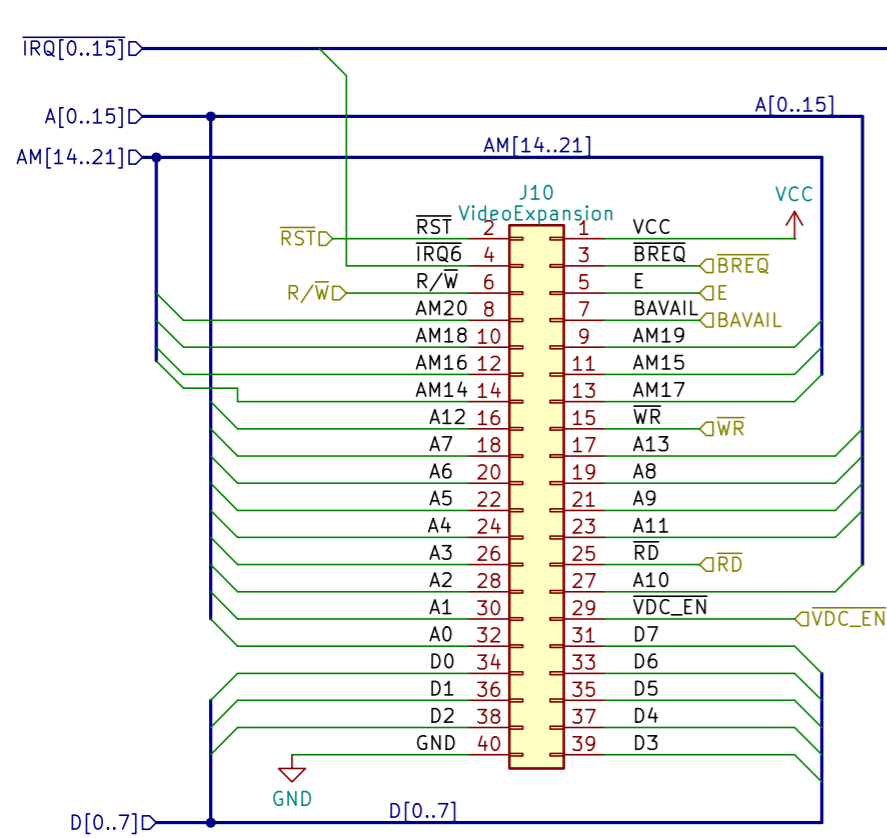






Eric Lind
 Sheet: /IRQ-Handler/
 File: irq_handler.kicad_sch
Title: IRQ Handler
 Size: A4 Date: 2024-02-03 **Rev: 1**
 KiCad E.D.A. 8.0.6 Id: 7/7





Sheet: /Expansion Ports/
File: expansion.kicad_sch

Title:

Size: A4
KiCad E.D.A. 8.0.6

Date:

Rev:

Id: 9/7